

# OPERATING MANUAL

## MECHANICAL IR CUT FILTER DAY/NIGHT DIGITAL COLOR CCD CAMERA

HIGH RESOLUTION

12VDC

1/3" SONY CCD Sensor

40~45M IR DISTANCE

### GENERAL DESCRIPTION

This 1/3" Day/Night color CCD camera, with high resolution (470/410 k) picture elements, is equipped with a mechanical IR filter and advanced Digital Signal processor to provide an unprecedented optimal image with vivid and stable true color picture in Day time and without focus shift when under IR light at night time.

This waterproof color camera with a built-in design of infrared LED suitable for both day time and night time outdoor surveillance. IP 66 protection rate housing and the bracket. This outstanding camera employing a 1/3" SONY Super – HAD color sensor, produces a 530 TVL high resolution crisp image.

To avoid color rolling, IRM also provide dual power voltage model.

### CAUTION

1. Do not touch the surface of image sensor. If it is touched accidentally it must be cleaned by cloth moistened with alcohol.
2. Before operation, ensure that the supply voltage is correct as specified.
3. Avoid focusing on the sun directly.
4. Do not attempt to service this unit yourself unless you are authorized to do so. Opening or removing cover may expose you to dangerous voltage or other hazards.

### CONNECTOR

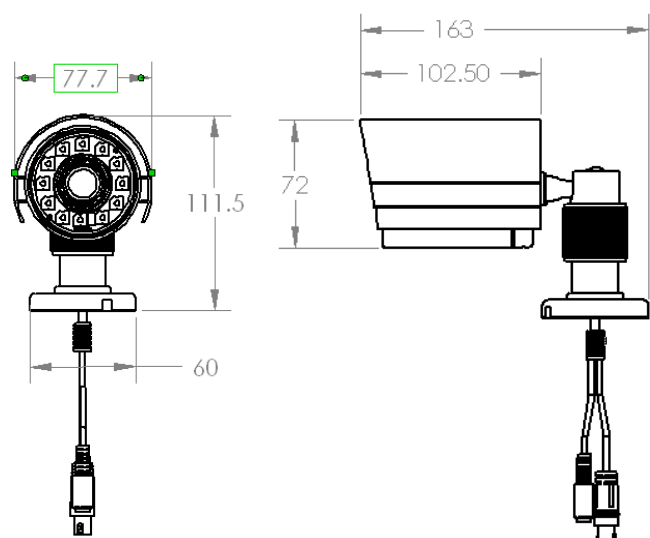
1. Power JACK for DC 12V
2. BNC connect to video monitor.



Daytime mode

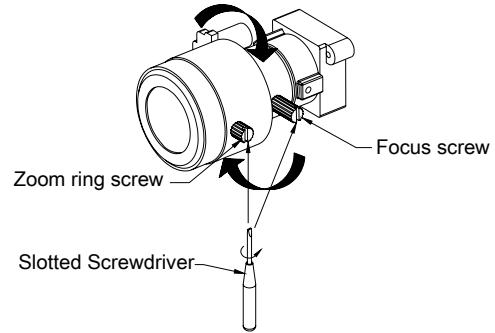


Nighttime mode / IR



## **ADJUSTING THE CAMERA ZOOM AND FOCUS**

1. Loosen the zoom ring thumbscrew.
2. Turn the zoom ring to set the desired zoom.
3. Tighten the zoom ring thumbscrew.
4. Loosen the focus ring thumbscrew.
5. Turn the focus ring to set the desired focus.
6. Tighten the focus ring thumbscrew.



## **SPECIFICATION**

	HIGH RESOLUTION
Power requirements	DC 12V
Synchronization	Internal
Image device	1/3" SONY Super-HAD CCD
Picture elements	PAL: 752 x 582, NTSC: 768 x 494
Scanning system	PAL: 625 lines, NTSC: 525 lines, 2:1 interlace
Horizontal resolution	530 TV Lines
Min. illumination	IR ON, 0 Lux
IR wavelength	850nm
OLPF switching	Auto switching
Aperture correction	Horizontal & Vertical 2H enhancer
Signal to noise ratio	Better than 48 dB
Auto gain control	YES
Auto electronic shutter	AES: 1/50(60)
White balance	AWB
Gamma correction	0.45
Video output	1Vp-p, 75Ω composite, BNC connector
Current	150mA at IR OFF, 400mA at IR ON max
Operating temperature	-10°C ~50°C (14 ~ 122 )
IR distance	40~45m ( indoor )
Lens	9~22mm F1.8 auto-iris DC drive lens
Weatherproof rate	IP 66
Dimensions	163mm(Length) × 111.5mm(High)

\*Specifications and design are subject to change without notice.